

# TRANSDRIVE<sup>®</sup>

## DRIVE PERFORMANCE



## Motor Accessories

[transdrive.com.au](http://transdrive.com.au)

# TRANSDRIVE<sup>®</sup>

## DRIVE PERFORMANCE

TransDrive was established to bring together our passion and experience in power transmission by being able to offer affordable, high-quality products to the power transmission and bearing market. Built on the philosophy of improving performance and quality of all of our TransDrive products.

Transdrive products have been manufactured and tested to meet ISO standards and the tough, working conditions of heavy industries.

Our team have experience in power transmission and bearings. Every product we design and manufacture is backed by years of industry knowledge and an understanding of what our customers and the market need.

At TransDrive, our goal is simple: to provide accessible, high-quality products at affordable pricing. With an unwavering commitment to excellence, TransDrive operates with a focus on providing innovative industry solutions.

Whether it is through our custom products, the standard range of pulleys, slew drives, chains and sprockets, TransDrive is dedicated to delivering effective solutions for the trades that offer increased productivity and reliability.

## Distributors

### Western Australia

#### Chain & Drives, Wangara

Unit 1, 45 Inspiration Drive,  
Wangara, WA 6065 Australia

**P** +61 8 9303 4966

**E** [support@chainanddrives.com.au](mailto:support@chainanddrives.com.au)

#### Chain & Drives, Welshpool

Unit 16, 51-53 Kewdale Road,  
Welshpool, WA 6106 Australia

**P** +61 8 6314 1155

**E** [support@chainanddrives.com.au](mailto:support@chainanddrives.com.au)

### New South Wales

#### Chain & Drives, Arndell Park

Unit 7/70 Holbeche Road,  
Arndell Park, NSW 2148 Australia

**P** +61 2 9674 8611

**E** [salesnsw@chainanddrives.com.au](mailto:salesnsw@chainanddrives.com.au)

### Become a TransDrive Dealer

#### Interested in becoming a TransDrive Dealer?

Get in touch:

**E** [info@transdrive.com.au](mailto:info@transdrive.com.au)

# Contents

**Anti-Vibration Mounts**

**4**

**Motor Slide Rails**

**8**

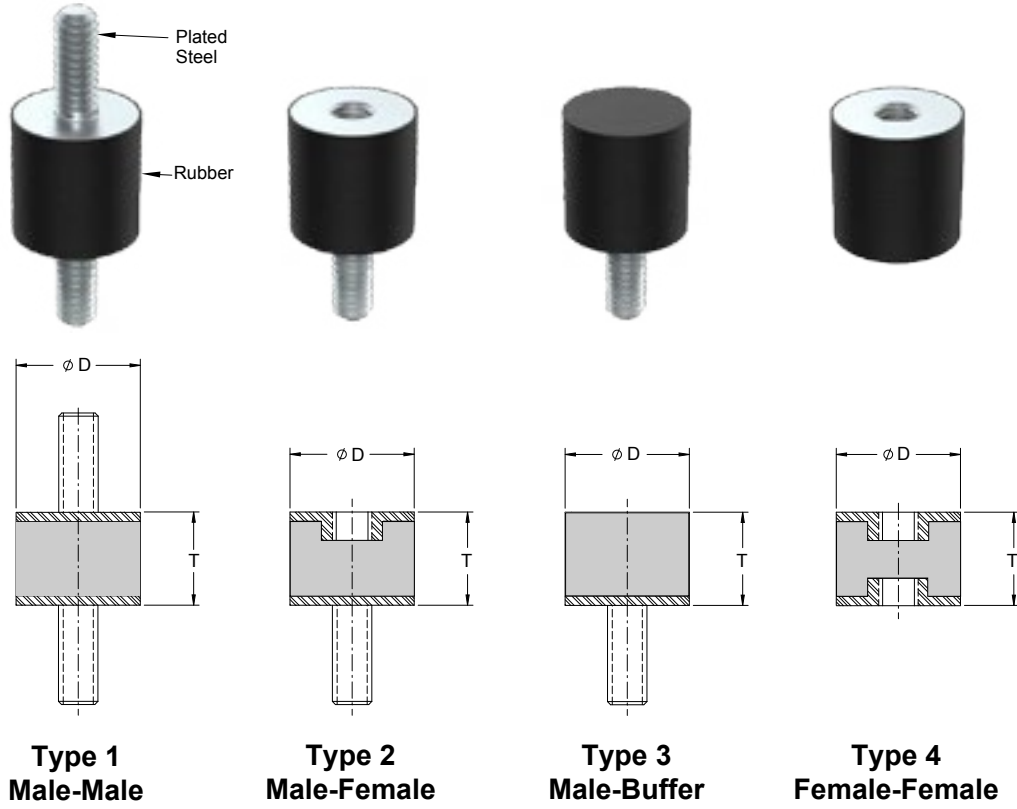
# Anti-Vibration Mounts

Anti-vibration mounts or vibration isolators, are essential components used in various industries to reduce vibration, noise, and shock in machinery and equipment.

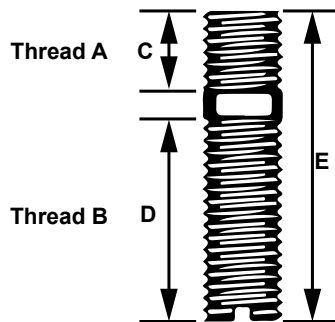
Our anti-vibration mounts provide vibration and shock protection in multiple directions and are resistant to grease and oil, making them popular in automotive and marine industries.



# Anti Vibration Mounts



Shore Hardness	
A	40
B	55
C	65



Part No.	Threads		
	A	C	E
M10XM10	M10 x 1.5	10	37
M10XM12	M10 x 1.5	10	49
M6XM6	M6 x 1.0	6	21
M6XM8	M6 x 1.0	6	28
M8XM10	M8 x 1.25	8	35
M8XM8	M8 x 1.25	8	28

All Studs are continuous threads.

Size/Part No. (D X T)	Shore Hardness	Type	Max Compressive Load (kg)	STATIC DEFL (mm)	Thread Size	Bolt/Nut
F13X13	A	1	4.5	1	3/16"BSW x 13L	3/16"BSW x 4 Deep
F16X13	A	1 3	4.3	1	M5x0.8P x12L	M5x0.8P x5 Deep
F16X15	A	1 2 3	4.1 4.3 4.5	1	M5x0.8P x12L	M5x0.8P x5 Deep
F19X19	A B	1 2	17 28	3	M6x1P x18L	M6 x 1P x6 Deep
F20X20	A B C	1 2 3	55 55 55	4	M6x1P x15L	M6x1P x15L Deep
F20X25	A	1	9.8	3	"M6x1P x 18L M6**	M6 x 1P x 6 Deep
		4	30.5			-
	B	2	18			M6 x 1P x 6 Deep
		4	65			-
	C	3	30			M6 x 1P x 6 Deep
		4	89.5			-
F25X20	A	1	33.8	3.5	"M6 x 1P x 13L M6**	M6 x 1P x 6 Deep
		4	36			-
	B	2	55			M6 x 1P x 6 Deep
		4	54			-
	C	3	80			M6 x 1P x 6 Deep
		4	66			-
F25X22	A	2	50	3.5	M8 x 1.25P x1 8L	M8 x 1.25P x 7 Deep
F25X30	A	1	13.8	3	"M8 x1.25P x 18 M6**	M8 x 1.25P x 7 Deep
		4	55			-
	B	2	23			M8 x 1.25P x 7 Deep
		4	98			-
	C	3	32			M8 x 1.25P x 7 Deep
		4	120			-
F30x20	A	4	42	2.5	M8*	-
	B		62			
	C		82			
F30X22	A	1 2	46 46	3.5	M8 x 1.25P x 23L	M8 x 1.25P x 7 Deep
F30X30	A	1	21	3	"M8 x 1.25P x23L M8**	M8 x 1.25P x 7 Deep
		2	23			
		3	23			-
		4	44			-
	B	4	77			-
	C	4	108			-
F30X40	A	4	49.5	8	M8*	-
	B		86			
	C		131			
F35X25	A	1	15	1.5	M10 x 1.5P x 38L	M10 x 1.5P x 10 Deep
	B	2	27			
	C	3				

Size/Part No. (D X T)	Shore Hardness	Type	Max Compressive Load (kg)	STATIC DEFL (mm)	Thread Size	Bolt/Nut
F38X25	A	1	65	4	M8 x 1.25P x 18L	M8 x 1.25P x 7 Deep
	B	2	127			
	C	3	165			
F40x30	A	4	60.5	5	"M8 x 1.25P x 23L M8**"	-
		1	108			M8 x 1.25P x 7 Deep
	B	2	108			-
		3	108			-
		4	114			-
C	4	195	-			
F40x40	A	1	65	6	M10 x 1.5P x 38L M8	M10 x 1.5P x 10 Deep
		4	78			-
	B	2	93			M10 x 1.5P x 10 Deep
		4	148			-
	C	3	132			M10 x 1.5P x 10 Deep
		4	233			-
F50x35	A	4	139.5	6	M10	-
	B		264			-
	C		363			-
F50X40	A	1	83	5	M10 x 1.5P x 22L	M10 x 1.5P x 12 Deep
	B	2	149			
F50X45	A	4	111.5	7	M10 x 1.5P x 25L M10*	-
		1	151			M10 x 1.5P x 12 Deep
	B	4	195			-
		4	244			-
F50X50	A	1	71.5	7	M10 x 1.5P x 22L	M10 x 1.5P x 12 Deep
	B	2	132			
	C	3	202			
F55X38	A	1	55	3	M10 x 1.5P x 32L	M10 x 1.5P x 12 Deep
	B	2	89			
F60X50	A	1	112	6.5	M12 x 1.75P x 27L	M12 x 1.75P x 15 Deep
	B	2	201			
	C	3	285			
F75X50	A	4	150	6.5	M10	-
	B	4	280			
	C	4	390			
F75X55	A	1	178	6	M12 x 1.75P x 37L	M12 x 1.75P x 15 Deep
	B	2	292			
	C	3	443			
F80X60	A	1	230	8	M12 x 1.75P x 30L	M12 x 1.75P x 20 Deep
	B	2	352			
	C	3	505			
F100X55	A	1	324	6	M16 x 2P x 43L	M16 x 2P x 20 Deep

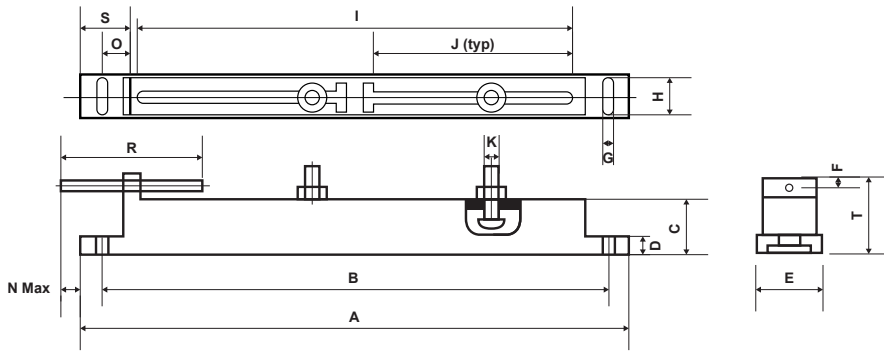
# Motor Slide Rails

Motor slide rails provide adjustable mounting and positioning for electric motors. The primary benefit of motor slide rails is the ability to adjust belt or chain tension with ease; they allow for fast and accurate re-tensioning without the need to remount the entire motor. By providing a stable platform, motor slide rails reduce vibration, leading to quieter operation and less wear on components.





# Motor Slide Rails



Product Code	Weight (kg)	A	B	C	D	E	F	G	H	I	J	K	M	N	O	R	S	T
MR08090	3	380	328	30	15	48	10	15	25	245	95	8	75	25	40	145	65	50
MR100132	8.5	475	425	37	19	70	10	14	35	340	150	10	135	26	42	200	68	62
MR160180	10	567	515	48	19	72	11	18	35	380	162	12	115	28	57	200	85	70
MR220225	22	790	780	60	32	92	18	20	20	610	285	16	200	30	60	290	90	92
MR250280	40	945	870	70	38	105	16	21	21	725	305	20	240	35	70	380	105	110
MR315355	105	1220	1115	125	40	122	22	30	30	920	420	24	285	50	105	450	155	170

All measurements are in mm

# TRANSDRIVE<sup>®</sup>

## DRIVE PERFORMANCE

Need more information about  
TransDrive products, customised  
products and services, get in touch.

[info@transdrive.com.au](mailto:info@transdrive.com.au)  
[transdrive.com.au](http://transdrive.com.au)

Supplier

