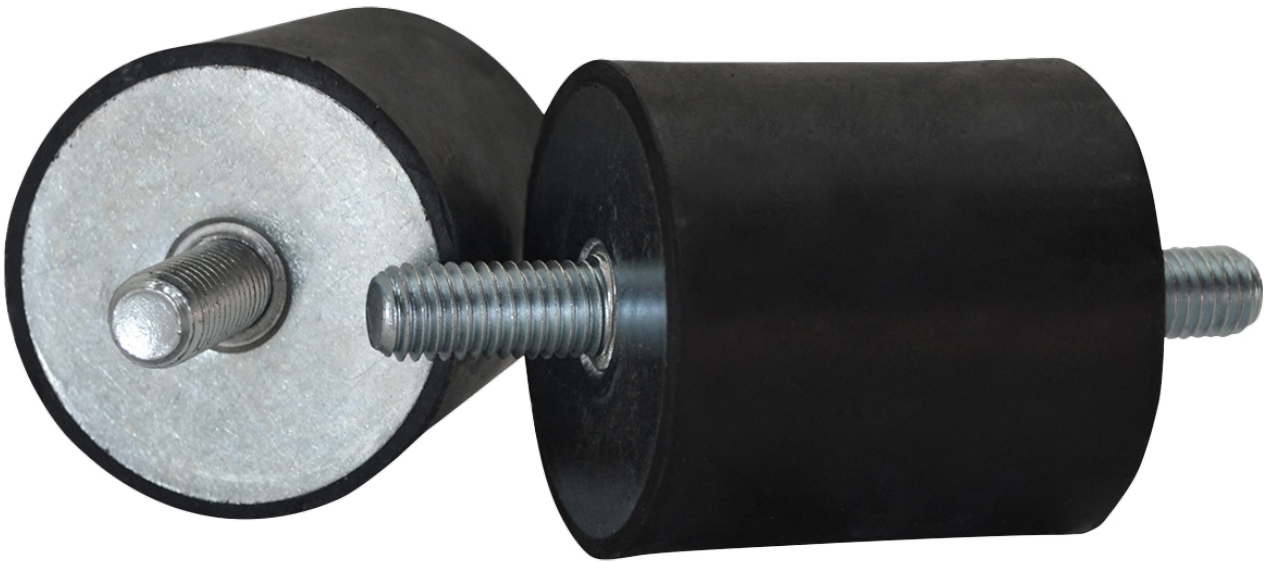


TRANS DRIVE[®]

DRIVE PERFORMANCE



Motor Accessories

transdrive.com.au

TRANSDRIVE[®]

DRIVE PERFORMANCE

TransDrive was established to bring together our passion and experience in power transmission by being able to offer affordable, high-quality products to the power transmission and bearing market. Built on the philosophy of improving performance and quality of all of our TransDrive products.

Transdrive products have been manufactured and tested to meet ISO standards and the tough, working conditions of heavy industries.

Our team have experience in power transmission and bearings. Every product we design and manufacture is backed by years of industry knowledge and an understanding of what our customers and the market need.

At TransDrive, our goal is simple: to provide accessible, high-quality products at affordable pricing. With an unwavering commitment to excellence, TransDrive operates with a focus on providing innovative industry solutions.

Whether it is through our custom products, the standard range of pulleys, slew drives, chains and sprockets, TransDrive is dedicated to delivering effective solutions for the trades that offer increased productivity and reliability.

Distributors

Western Australia

Chain & Drives, Wangara

Unit 1, 45 Inspiration Drive,
Wangara, WA 6065 Australia

P +61 8 9303 4966

E support@chainanddrives.com.au

Chain & Drives, Welshpool

Unit 16, 51-53 Kewdale Road,
Welshpool, WA 6106 Australia

P +61 8 6314 1155

E support@chainanddrives.com.au

New South Wales

Chain & Drives, Arndell Park

Unit 7/70 Holbeche Road,
Arndell Park, NSW 2148 Australia

P +61 2 9674 8611

E salesnsw@chainanddrives.com.au

Become a TransDrive Dealer

Interested in becoming a TransDrive Dealer?

Get in touch:

E info@transdrive.com.au

Contents

Anti-Vibration Mounts

Shore Hardness	5	F 38 - F 55	8
F 13 - F 25	6	F 60 - F 100	9
F 25 - F 38	7	Stud Details	10

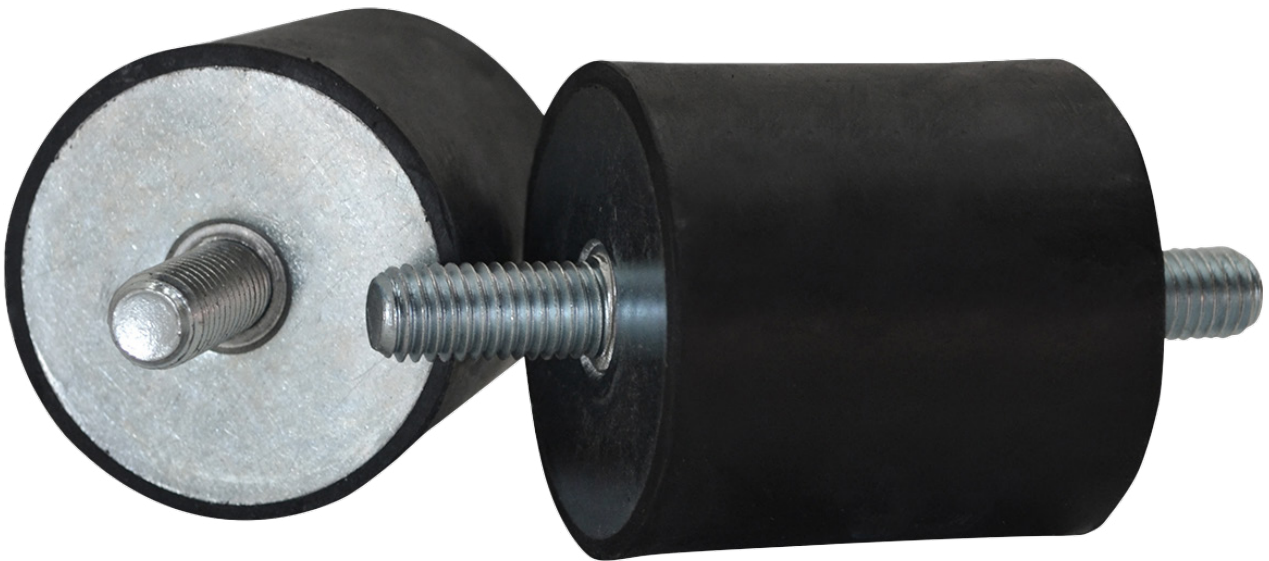
Motor Mounts

Motor Slide Rails	12		11
-------------------	----	--	----

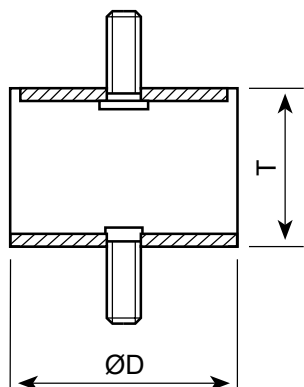
Anti-Vibration Mounts

Anti-vibration mounts or vibration isolators, are essential components used in various industries to reduce vibration, noise, and shock in machinery and equipment.

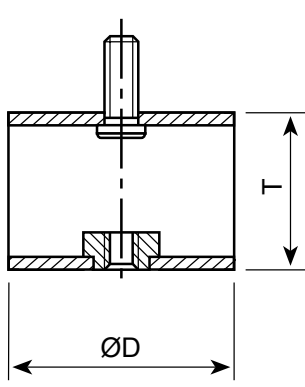
Our anti-vibration mounts provide vibration and shock protection in multiple directions and are resistant to grease and oil, making them popular in automotive and marine industries.



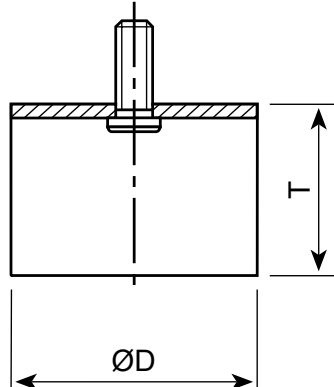
Type 1



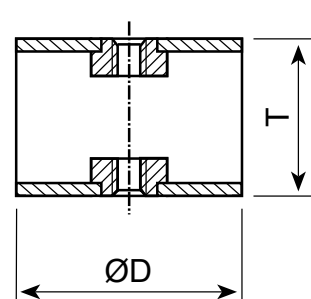
Type 2



Type 3



Type 4

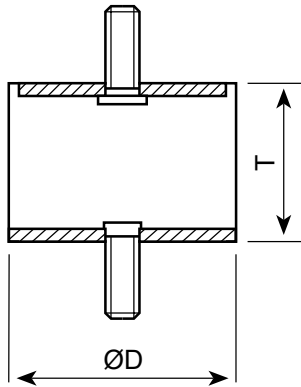


Shore Hardness

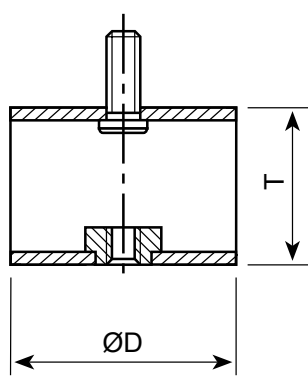
A	40.55
B	55.65
C	65.75

All measurements in mm unless otherwise stated.

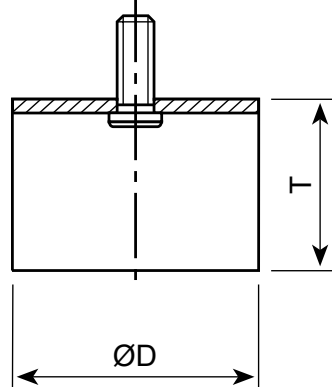
Type 1



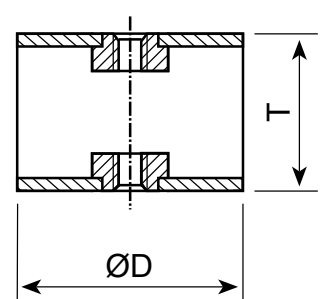
Type 2



Type 3



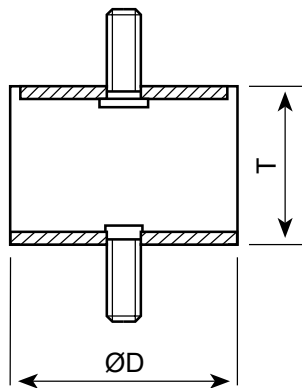
Type 4



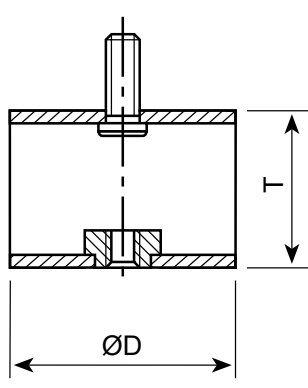
Size/Part No.	Shore Hardness	Type	Max Compressive Load(kg)	STATIC DEFL (mm)	Thread Size	Bolt/Nut
F 13x13	A	1	4.5	1	3/16"BSW x 13L	3/16"BSW x 4 Deep
F 16x13	A	1	4.3	1	M5x0.8Px12L	M5x0.8Px5 Deep
		3				
F 16x15	A	1	4.1	1	M5x0.8Px12L	M5x0.8Px5 Deep
		2	4.3			
		3	4.5			
F 19x19	A	1	17	3	M6x1Px18L	M6x1Px6 Deep
	B	2	28			
F 20x20	A	1	55	4	M6x1Px15L	M6x1Px15L Deep
	B	2	55			
	C	3	55			
F 20x25	A	1	9.8	3	M6x1Px18L M6*	M6x1Px6 Deep
		4	30.5			-
	B	2	18			M6x1Px6 Deep
		4	65			-
	C	3	30			M6x1Px6 Deep
		4	89.5			-
F 25x20	A	1	M6	3.5	M6x1Px13L M6*	M6x1Px6 Deep
		4	M6			-
	B	2	M6			M6x1Px6 Deep
		4	M6			-
	C	3	M6			M6x1Px6 Deep
		4	M6			-
F 25x22	A	2	50	3.5	M8x1.25Px18L	M8x1.25Px7 Deep
F25x30	A	1	13.8	3	M8x1.25Px18L M6*	M8x1.25Px7 Deep
		4	55			-
	B	2	23			M8x1.25Px7 Deep
		4	98			-
	C	3	32			M8x1.25Px7 Deep
		4	120			-

All measurements in mm unless otherwise stated.

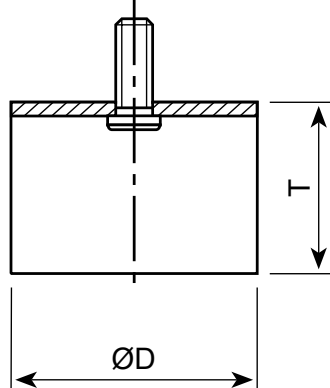
Type 1



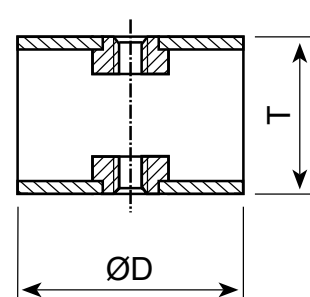
Type 2



Type 3



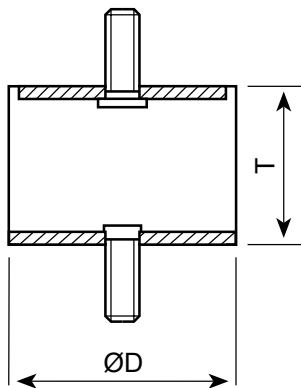
Type 4



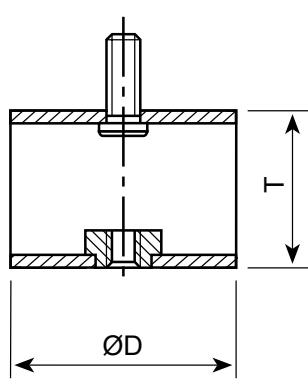
Size/Part No.	Shore Hardness	Type	Max Compressive Load(kg)	STATIC DEFL (mm)	Thread Size	Bolt/Nut
F 25x22	A	2	50	3.5	M8x1.25Px1.8L	M8x1.25Px7 Deep
F 25x30	A	1	13.8	3	M5x0.8Px12L M6*	M8x1.25Px7 Deep
		4	55			-
	B	2	23			M8x1.25Px7 Deep
		4	98			-
	C	3	32			M8x1.25Px7 Deep
		4	120			-
F 30x20	A	4	42	2.5	M8*	-
	B		62			
	C		120			
F 30x22	A	1	46	3.5	M8x1.25Px23L	M8x1.25Px7 Deep
		2	46			
F 30x30	A	1	21	3	M8x1.25Px23L M8*	M8x1.25Px7 Deep
		2	23			-
		3	23			-
		4	44			-
	B	4	77			-
	C		108			-
F 30x40	A	4	49.5	8	M8*	-
	B		86			
	C		131			
F 35x25	A	1	15	1.5	M10x1.5Px38L	M8x1.25Px7 Deep
	B	2	27			
	C	3	-			
F38*25	A	1	65	4	M8x1.25Px18L	M8x1.25Px7 Deep
	B	2	127			
	C	3	165			

All measurements in mm unless otherwise stated.

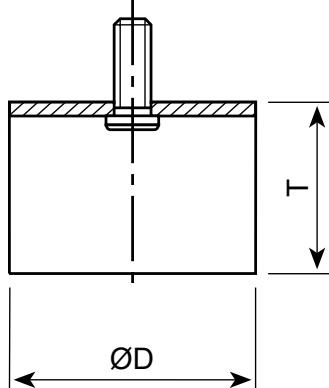
Type 1



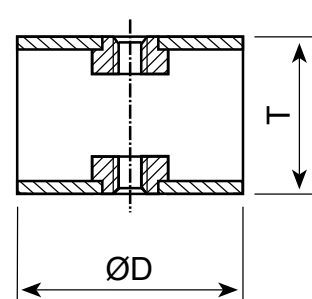
Type 2



Type 3



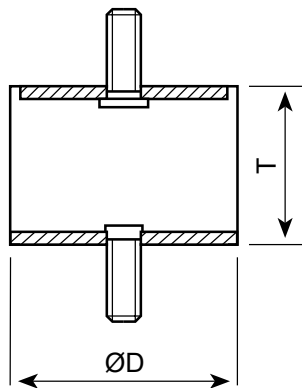
Type 4



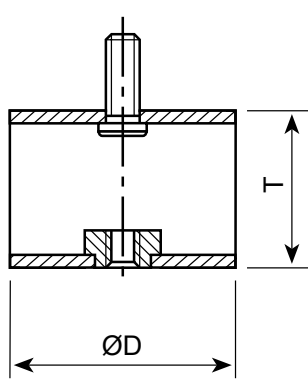
Size/Part No.	Shore Hardness	Type	Max Compressive Load(kg)	STATIC DEFL (mm)	Thread Size	Bolt/Nut
F 38x38	A	1	61	6	M8x1.25Px1.8L	M8x1.25Px7 Deep
	B		78			
	C		100			
F 40x30	A	4	60.5	3	M8x1.25Px23L M8*	M8x1.25Px7 Deep
	B	1	108			M8x1.25Px7 Deep
		2	108			M8x1.25Px7 Deep
		3	108			-
		4	114			-
	C	4	195			-
F 40x40	A	1	65	6	M10x1.5Px38L M8	M10 x 1.5P x 10 Deep
		4	78			-
	B	2	93			M10 x 1.5P x 10 Deep
		4	148			-
	C	3	132			M10 x 1.5P x 10 Deep
		4	233			-
F 50x35	A	4	139.5	6	M10	-
	B		264			-
	C		363			-
F 50x40	A	4	111.5	7	M10x1.5Px22L	-
	B	1	151			M10x1.5Px12 Deep
		4	195			-
C	4	244	-			
F 50x45	A	4	49.5	8	M8*	-
	B					-
F 50x50	A	1	71.5	7	M10x1.5Px22L	M10x1.5Px12 Deep
	B	2	132			-
	C	3	202			-
F 55x38	A	1	65	4	M8x1.25Px18L	M8x1.25Px7 Deep

All measurements in mm unless otherwise stated.

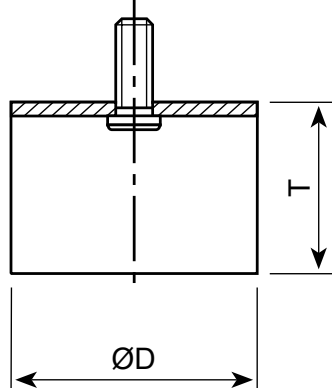
Type 1



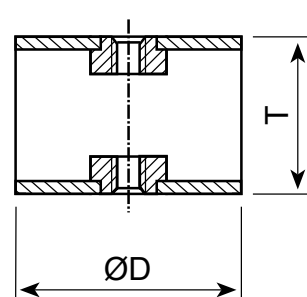
Type 2



Type 3

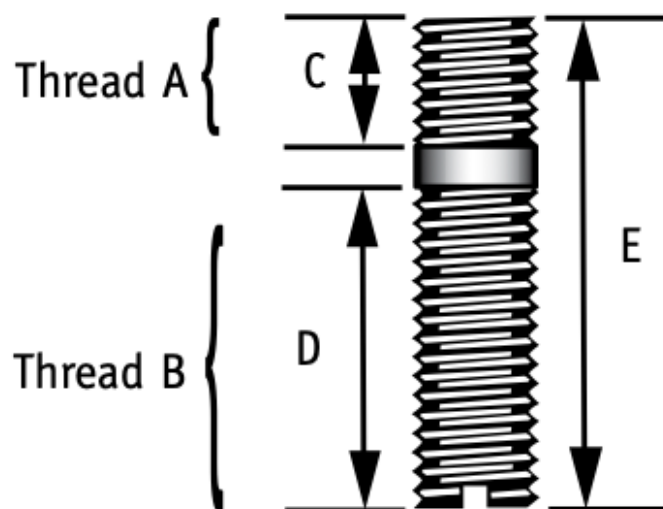


Type 4



Size/Part No.	Shore Hardness	Type	Max Compressive Load(kg)	STATIC DEFL (mm)	Thread Size	Bolt/Nut
F 60x50	A	1	112	6.5	M12x1.75Px2.7L	M12x1.75Px15 Deep
	B	2	201			
	C	3	285			
F 75x50	A	4	150	6.5	M10	-
	B	4	280			
	C	4	390			
F 75x55	A	1	178	6	M12x1.75Px37L	M12x1.75Px15 Deep
	B	2	292			
	C	3	443			
F 80x60	A	1	230	8	M12x1.75Px30L	M12x1.75Px20 Deep
	B	2	352			
	C	3	505			
F 100x55	A	1	324	6	M16x2Px43L	M16x2Px20 Deep

All measurements in mm unless otherwise stated.



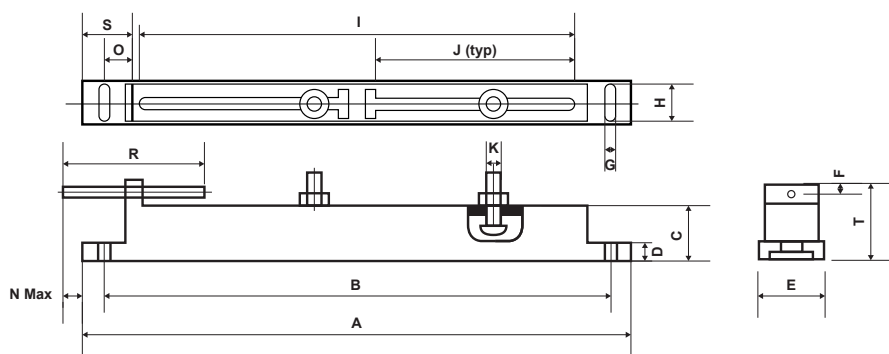
Stud Part No.	Threads		Dimensions		
	A	B	C	D	E
M10XM10	M10 x 1.5	M10 x 1.5	10	25	37
M10XM12	M10 x 1.5	M12 x 1.75	10	35	49
M6XM6	M6 x 1.0	M6 x 1.0	6	15	21
M6XM8	M6 x 1.0	M8 x 1.25	6	20	28
M8XM10	M8 x 1.25	M10 x 1.5	8	25	35
M6XM8	M8 x 1.25	M8 x 1.25	8	20	28

All measurements in mm unless otherwise stated.

Motor Mounts



TransDrive slide rails, made from galvanized steel, support motor frame sizes 63 to 225 and include adjustable positioning blocks for quick and accurate drive alignment. Their design ensures efficient installation and corrosion resistance, making them ideal for applications requiring frequent adjustments.



Product Code	Weight (kg)	A	B	C	D	E	F	G	H	I	J	K	M	N	O	R	S	T
MR08090	3	380	328	30	15	48	10	15	25	245	95	8	75	25	40	145	65	50
MR100132	8.5	475	425	37	19	70	10	14	35	340	150	10	135	26	42	200	68	62
MR160180	10	567	515	48	19	72	11	18	35	380	162	12	115	28	57	200	85	70
MR220225	22	790	780	60	32	92	18	20	20	610	285	16	200	30	60	290	90	92
MR250280	40	945	870	70	38	105	16	21	21	725	305	20	240	35	70	380	105	110
MR315355	105	1220	1115	125	40	122	22	30	30	920	420	24	285	50	105	450	155	170

All measurements are in mm

TRANSDRIVE[®]

DRIVE PERFORMANCE

Need more information about
TransDrive products, customised
products and services, get in touch.

info@transdrive.com.au
transdrive.com.au

Supplier

